



191 P/SP

Magica Colore

The automatic self-serve ice cream machine



Performance and Quality The Magica is a fully independent, token operated soft serve ice cream & frozen yogurt machine ideal for shopping centers, arcades, & amusement parks. The high performance model can dispense 250 3oz servings per hour. Magica provides three flavor options. One base flavor and 2 flavored choices.



Convenience Magica can serve up to 148 portions before needing a product refill. Equipment cleaning cycle done once every two weeks.



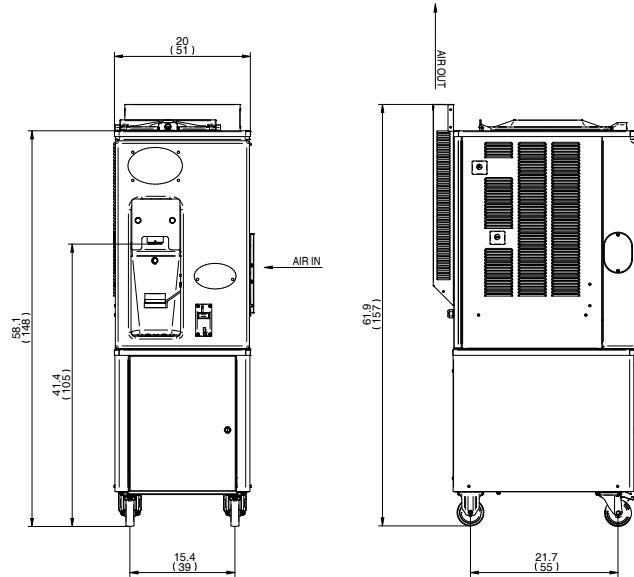
Safety Optional TEOREMA provides remote tracking of servings, cleanings and alerting of service requirements to both service team and operator.



Hygiene Cleaning required every 14 days.



191 P/SP Magica Colore



AIR

Weights		lbs.	kgs.
Net		469	213
Crated		529	240
Volume		cu. ft.	cu. m.
Volume		40.02	1.19
Dimensions		in.	cm.
Width		20	51
Depth		30.4	77
Height		61.9	157
Electrical	Maximum Fuse Size	Minimum Circuit Ampacity	Poles (P) Wires (W)
208-230/60/1 Air	30A	25-27A	1P, 1W

Specifications

Electrical

A dedicated electrical connection is required. Manufactured to be permanently connected. See the Electrical chart for the proper electrical requirements. Consult your local Carpigiani distributor for cord & receptacle specifications as local codes allow.

Beater Motor

1,2 HP

Refrigeration System

R404A

Air Cooled *

Minimum clearance: 6" (15 cm) on both side panels and 0" (0 cm) from the rear panel for proper air circulation.

Hopper Capacity

13 quarts (12,3 liters)

All specifications mentioned must be considered approximate; Carpigiani reserves the right to modify, without notice, all parts deemed necessary. This unit may be manufactured in other electrical characteristics and may have additional regulatory agency approvals, please consult the local Carpigiani Distributor. Check name plate for exact electrical data. * Room temperature 68 °F (20 °C).

Bidding Specs

Electrical Volt _____ Hz _____ Ph _____ Neutral _____ Yes No Cooling Air Water

Options _____



Distributed by:

GTI Designs

35 Trade Zone Court

Ronkonkoma, NY 11779

Tel: 800-896-4484

631-981-2100

CustomerService@gtidesigns.com

www.gtidesigns.com