



191
S P E P

Countertop
Pump-Fed Soft Serve
Model with Heat
Treatment for maximum
overrun control,
hygiene & ease
of use



Performance and Quality The Carpigiani reputation for the smoothest, creamiest soft serve in the market is proven with this powerful, customizable model. Spigot flow allows for adjustable product flow. Product is fed from rear of cylinder eliminating need to prime and allowing more controllable overrun.



Convenience Hopper prevents mixture separation and maintains consistent refrigerated temperature. Audible Signal alerts when refill is needed. Least number of components to clean in the industry.



Savings Unique cylinder construction delivers better results using less electricity. No cleaning is required for up to 14 days with heat treatment function. Available only in Air-cooled version.

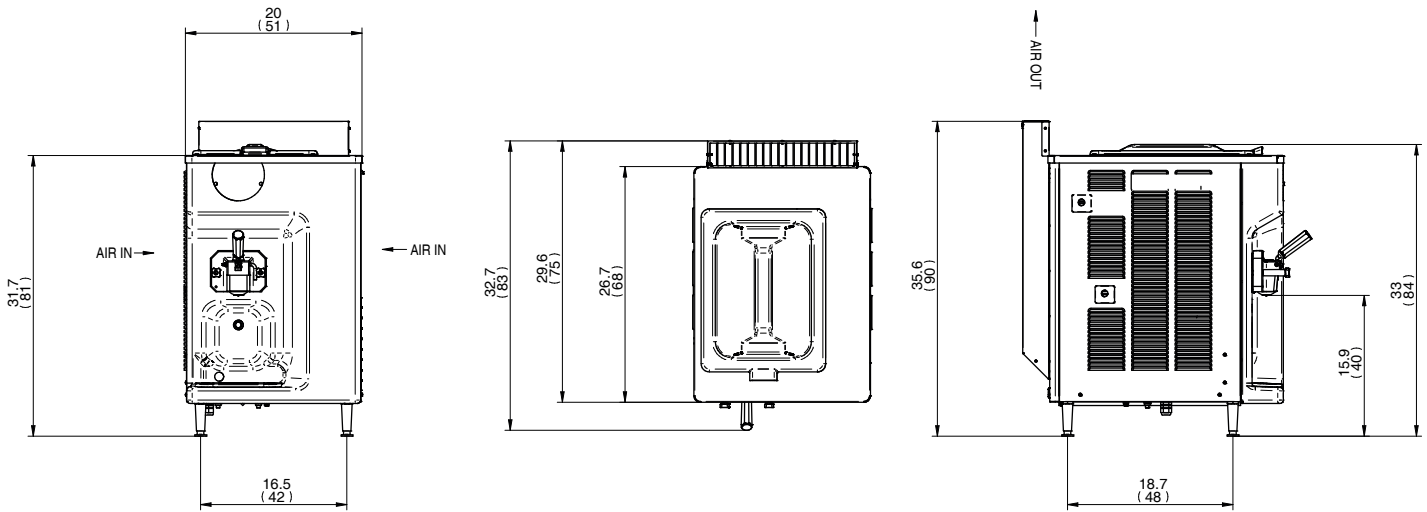


Safety TEOREMA guarantees facilitated assistance by providing online monitoring and diagnosis on a tablet, phone or PC wherever you are.



Hygiene Standby mode maintains safe product temperatures in the freezing cylinder and mix hopper utilizing minimal energy during idle periods.





AIR

Weights	lbs.	kgs.	
Net	309	140	
Crated	352	160	
Volume	cu. ft.	cu. m.	
Volume	29.31	0.83	
Dimensions	in.	cm.	
Width	20.01	51	
Depth	27.7	70	
Height	35.4	90	
Electrical	Maximum Fuse Size	Minimum Circuit Ampacity	Poles (P) Wires (W)
208-230/60/1 Air	30A	25A	1P, 1W
208-230/60/3 Air	25A	15A	3P, 3W

Specifications

Electrical

A dedicated electrical connection is required. Manufactured to be permanently connected. See the Electrical chart for the proper electrical requirements. Consult your local Carpigiani distributor for cord & receptacle specifications as local codes allow.

Beater Motor

1,2 HP

Refrigeration System

R404A

Air Cooled *

Minimum clearance: 3" (8 cm) on both side panels and 0" (0 cm) from the rear panel for proper air circulation.

Hopper Capacity

13 quarts (12,3 liters)

All specifications mentioned must be considered approximate; Carpigiani reserves the right to modify, without notice, all parts deemed necessary. This unit may be manufactured in other electrical characteristics and may have additional regulatory agency approvals, please consult the local Carpigiani Distributor. Check name plate for exact electrical data. * Room temperature 68 °F (20 °C).

Bidding Specs

Electrical	Volt	Hz	Ph	Neutral	Yes	No	Cooling	Air	Water
Options	_____								



Distributed by:
GTI Designs
35 Trade Zone Court
Ronkonkoma, NY 11779

Tel: 800-896-4484
631-981-2100
CustomerService@gtidesigns.com
www.gtidesigns.com