



Gelato PUSH CARTS

Features:

The Gelato Push Cart is the most versatile selling unit available allowing you to bring your store to the public and reach your customers anywhere, from the outdoors in the big cities to stores, malls, catering halls, homes and events. GTI Designs is offering our Gelato Push Cart in two versions: with Glass Sliding Top and 6 Stainless Steel Gelato Pans or with Pozzetti's with customized designs to suit your needs. Some options include color scheme, logo, fabric, shelf, push handle & Decorative wheel. Reminiscent of a Bygone era, yet with a sleek modern design, the Push Cart is an elegant presentation for your Gelato, Ice Cream, Sorbet and Italian Ices. It is available in 4, 6 or 8 flavor variety sized cart, made of highest quality stainless steel, with removable stainless steel Pozzetti's & lids, and a refrigeration system to ensure perfect Gelato for your customers. Plug it in outside your store or use the Push Cart as a mobile store with "Cold Plate Technology" that will keep your product at the precise temperature without the need to plug in. The Gelato Push Cart offers unlimited ways to sell your products anywhere. Imagine bringing your store to all the events around town with your Gelato Push Cart and watch your business grow!



Pozzetti Style Gelato Cart



Gelato Cart
(with 5 liter pans and glass sliding top)

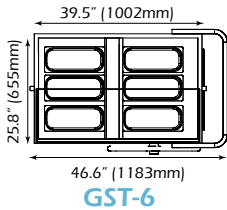
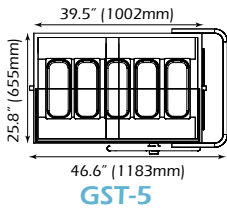
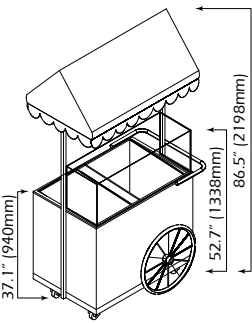


Ice Cream Tricycle
(Cold plate technology only)

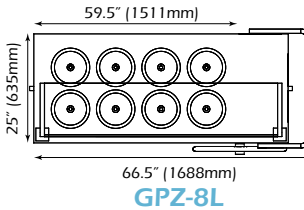
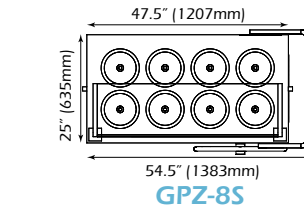
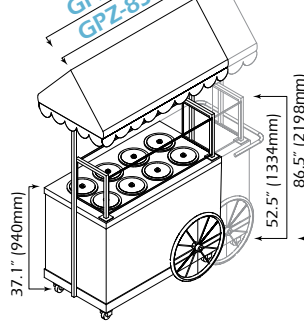
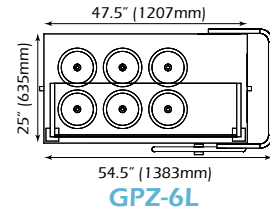
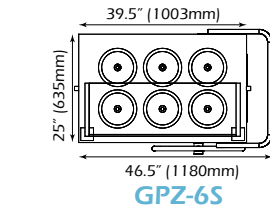
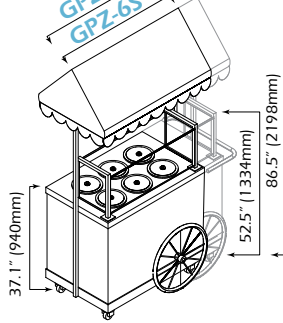
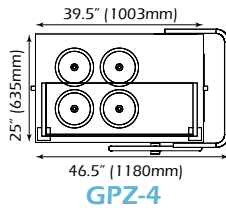
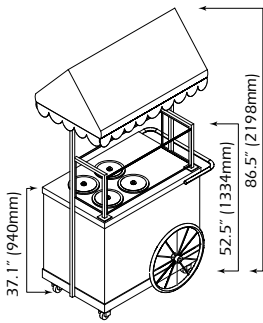
SIDE VIEW

TOP VIEW

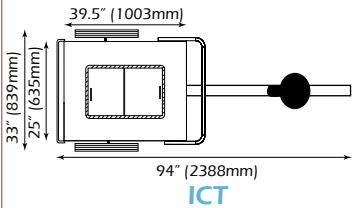
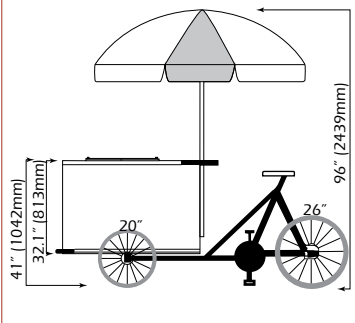
GELATO



POZZETTI



ICE CREAM TRICYCLE



Custom Design Options

- Custom Color Design & Logo on Cart
- Canopy (Assorted Colors/ Custom Design & Logo)
- Umbrella (in assorted colors)
- Decorative Wheel (heavy duty wheels included)
- Spoke Wheel (10" casters included)
- Stainless Steel Shelf
- Push Handle
- Towel Bar (Same as push handle)
- Drop in sink system
- Cold Plate Technology

GTI Designs can custom build your Push Cart according to your specification...

POZZETTI & GELATO CARTS									
Model	Flavors	Reserve	Width	Depth	Height	Height w/Sneeze Guard	Height w/Canopy	Electrical Requirements	
GPZ-4	4 Pozz.	4	39.5"	25"	37.1"	52.5"	86.5"	115V/ 1Phase/ 60Hz/ 15 Amps	
GPZ-6S	6 Pozz.	4	39.5"	25"	37.1"	52.5"	86.5"	115V/ 1Phase/ 60Hz/ 15 Amps	
GPZ-6L	6 Pozz.	6	47.5"	25"	37.1"	52.5"	86.5"	115V/ 1Phase/ 60Hz/ 15 Amps	
GPZ-8S	8 Pozz.	6	47.5"	25"	37.1"	52.5"	86.5"	115V/ 1Phase/ 60Hz/ 15 Amps	
GPZ-8L	8 Pozz.	8	59.5"	25"	37.1"	52.5"	86.5"	115V/ 1Phase/ 60Hz/ 15 Amps	
GST-5	5 Pans	4	39.5"	25.8"	37.1"	52.7"	86.5"	115V/ 1Phase/ 60Hz/ 15 Amps	
GST-6	6 Pans	4	39.5"	25.8"	37.1"	52.7"	86.5"	115V/ 1Phase/ 60Hz/ 15 Amps	
ICE CREAM TRICYCLE									
Model	Reserve		Width	Depth	Height	Height w/Umbrella	Electrical Requirements		
ICT	Holds approx. 70 dz novelties		94"	33"	41"	96"	115V/ 1Phase/ 60Hz/ 15 Amps		



POZZETTI CART OPTIONS:

- GPZ-4** (39.5") 4 Flavors Pozzetti Cart
- GPZ-6S** (39.5") 6 Flavors Pozzetti Cart
- GPZ-6L** (47.5") 6 Flavors Pozzetti Cart
- GPZ-8S** (47.5") 8 Flavors Pozzetti Cart
- GPZ-8L** (59.5") 8 Flavors Pozzetti Cart
- With Cold Plates

GELATO CART OPTIONS:

- GST-5** (39.5") 5 Flavors Gelato Cart with cold plates & glass sliding top hold 5 liter pans (not included)
- GST-6** (39.5") 6 Flavors Gelato Cart with out cold plates & glass sliding top hold 5 liter pans (not included)

ICE CREAM TRICYCLE

- ICT** (39.5") Holds approx. 70 dz novelties ice cream freezer w/ cold plate technology only

OPTIONS:

- Paint Cart Frame
- Customize Front & Sides with your Design & Logo
- Stainless Steel Shelf (width 6 1/4" - GST models only)
- Basic Condiment Rail (4 - 1/6 size pans) w/ lid non chilled sits on counter or sneeze guard depending on model number
- Push Handle (1" round stainless steel)
- Towel Bar (same as push handle)
- Decorative Wheel (includes heavy duty wheels)
 - Add fender
- 2 Spoke Wheels (includes 2 -10" casters)
- Sneeze Guard (fish tank style for gelato cart only) (with 2 posts for pozzetti cart only)

SINK SYSTEM

- Drop in 2 compartment sink system with tanks & water heater (NEEDS TO BE PLUGGED INTO ELECTRIC)
- Drop in sink system gravity feed with propane tank supplied by customer

CANOPY:

- Canvas Canopy
- Peaked Canopy
 - Custom Design & Logo (vinyl wrapped)
- Deluxe Frame (in addition to Peaked Canopy)
- Umbrella (Standard Colors: red+white, blue+white, yellow+white)