



# POZZETTI

## CASE FEATURES:

- Available in 3 versions:  
**Gelato**  
**Ice Cream**  
**Granita**
- Standard cases with 4, 6 & 8 storage containers with the option to fully customize with 10 and 12 display options
- Electronic Control panel with digital display to view the internal temperature
- Sneeze-guard top glass with customizable height
- Custom color finishing and design options
- Optional Cold Plate technology built into cabinet

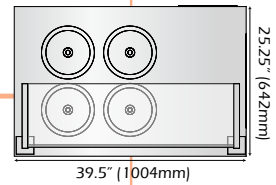
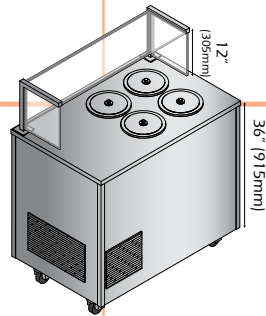
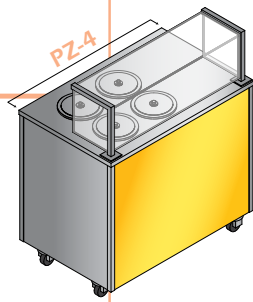


FRONT VIEW

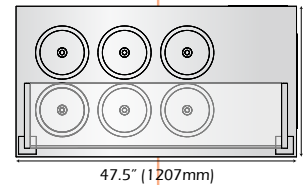
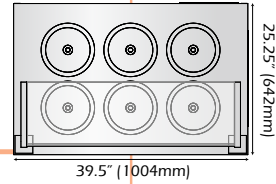
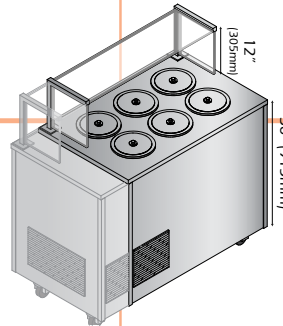
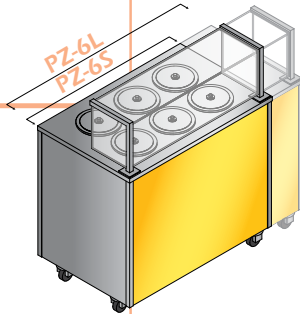
BACK VIEW

TOP VIEW

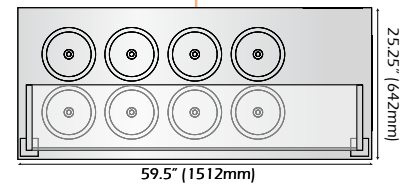
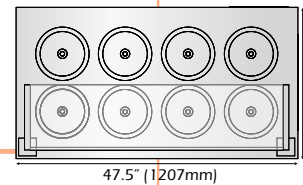
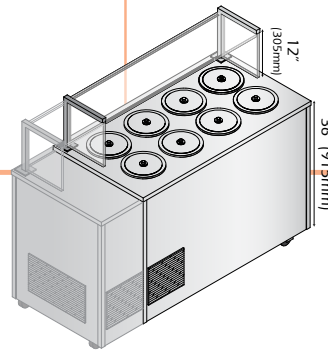
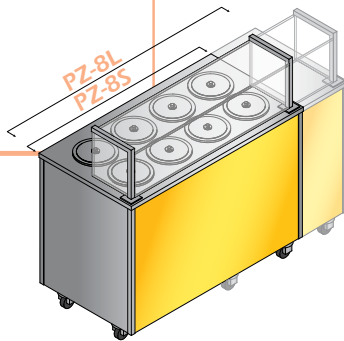
**PZ-4**  
(4 CONTAINERS)



**PZ-6S**  
**PZ-6L**  
(6 CONTAINERS)



**PZ-8S**  
**PZ-8L**  
(8 CONTAINERS)



▪ **Don't See What You Want? Contact Us To Customize Your Pozzetti!**

Please add 1.5' per side panel

**DISPLAY CASES**

Model	Flavors	Reserve	Width	Depth	Height	Height w/Sneeze Guard	Electrical Requirements
PZ-4	4 Pozz.	4	39.5" (1004mm)	25.25" (642mm)	36" (915mm)	48" (1220mm)	115V/ 1Phase/ 60Hz/ 15 Amps
PZ-6S	6 Pozz.	4	39.5" (1004mm)	25.25" (642mm)	36" (915mm)	48" (1220mm)	115V/ 1Phase/ 60Hz/ 15 Amps
PZ-6L	6 Pozz.	6	47.5" (1207mm)	25.25" (642mm)	36" (915mm)	48" (1220mm)	115V/ 1Phase/ 60Hz/ 15 Amps
PZ-8S	8 Pozz.	6	47.5" (1207mm)	25.25" (642mm)	36" (915mm)	48" (1220mm)	115V/ 1Phase/ 60Hz/ 15 Amps
PZ-8L	8 Pozz.	8	59.5" (1512mm)	25.25" (642mm)	36" (915mm)	48" (1220mm)	115V/ 1Phase/ 60Hz/ 15 Amps

All technical data, pictures and drawings contained in this document are not binding on the manufacturer, nor can the manufacturer be held liable for any modification of the machine, in part or in whole.