



SL-Series

GELATO



FEATURES

SL-Series Display Case

- Available for Gelato & Ice Cream or Pastry, Desserts, Chocolates, Panini, Prepared Foods and Confectionery
- Easy opening front glass
- Compact design with narrow side panels for limited space applications
- Curved, tempered, double pane heated glass prevents condensation
- Digital temperature control panel



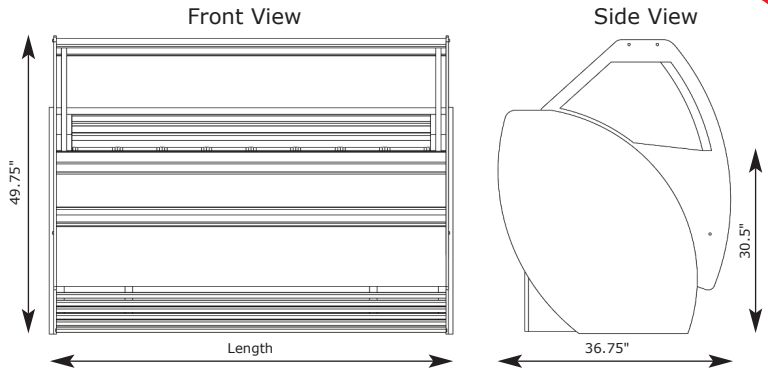
REFRIGERATED

SL-Series Technical Specifications



GELATO

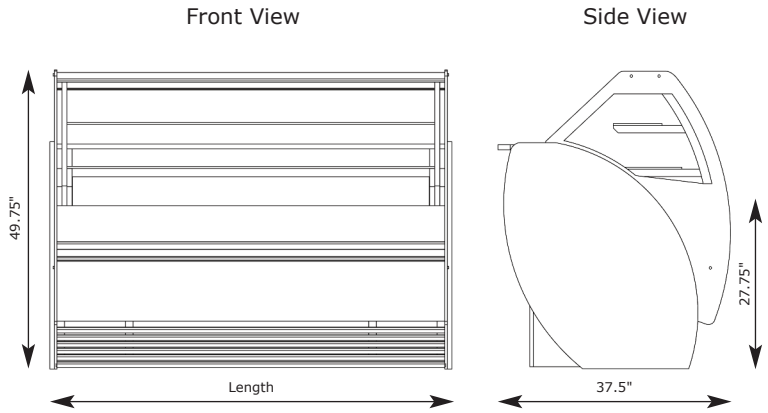
SL-Series Gelato Display Case					
Model	Width	Depth	Height	4 Ltr Pans	5 Ltr Pans
SL - 12G	50.5"	36.75"	49.75"	12	9
SL - 16G	63"	36.75"	49.75"	16	12
SL - 18G	70.5"	36.75"	49.75"	18	13
SL - 20G	78.75"	36.75"	49.75"	20	15



SL- Series Gelato Pan Options				
	SL-12G	SL-16G	SL-18G	SL-20G
5 Ltr				
Pans	9	12	13	15
4 Ltr				
Pans	12	16	18	20

REFRIGERATED

SL-Series Refrigerated Display Case			
Model	Width	Depth	Height
SL - 1250P	50.5"	37.5"	49.75"
SL - 1500P	63"	37.5"	49.75"
SL - 1750P	70.5"	37.5"	49.75"
SL - 2250P	78.75"	37.5"	49.75"



- Power Supply: Single Phase 220V - 60Hz
- Forced Air Refrigeration
- Automatic Defrost Cycle



35 Trade Zone Court ▪ Ronkonkoma, NY 11779 ▪ www.gtidesigns.com
 Phone 631.981.2100 ▪ Fax 631.981.3509 ▪ CustomerService@gtidesigns.com

All technical data, pictures and drawings contained in this document are not binding on the manufacturer, nor can be the manufacturer held liable for any modification of the machine, in part or in whole.