

9+

gti **DESIGNS**



NINE
PLUS

NINE is
enhanced to
best meet your
needs.

PLUS is the perfect combination between functionality and aesthetics, while ensuring freedom of customization and usability in any context.
PLUS means priority: minor depth, major impact.
In any context, PLUS means choosing among priorities, as well as learning how to select what you really need.



NINE

NINE is tradition and beauty, creativity and intuition, everything is enclosed in a reduced space.
NINE is wonderful to be looked at and touched.
It has been designed to enhance
The clients' displaying opportunities Which is the most significant feature.
The greatest ambition we should have is to demonstrate without showing ourselves off.

The shared values
Gamma
 Range/end side corner
 An ice cream cabinet and a display top (more than 1 mt long) are enclosed in one end side corner. Both NINE versions offer you a complete range of products. NINE boasts a complete product range and furthermore foresees an end side corner to best use the available spaces inside the premise.

↔
Depth



NINE and NINE plus are the first showcases on the market boasting a width in less than 90 cm. Our innovation foresees innovative insulating materials for a professional cabinet with less than 90 cm width as well as highly insulating panels for the BT (negative temperature) and T+ (positive temperature) models. The highly insulating panels ensure the ideal perfect show of the double row of professional ice cream tubs. Furthermore, another innovation is the 72 cm wide display top for the pastry cabinet.



↗
Dimensions to be discovered

These two showcases best suit your premise's features thanks to their width and height. It is compact in terms of width and height and can be matched with the other furnishing elements. Similarly, it maintains the professional showcasing and food preserving features.

⚡
Consumption

The idea of applying highly insulating panels ensures waste of time and energy in both NINE versions. All this results in a lower consumption for our clients.



📦
Food preserving

The application of innovative materials and the reduced dimensions are the result of the know-how inspired by different sectors. They ensure the best performances in comparison to the current products available on the market.



🎧
NOISE REDUCTION

Noise reduction is one of the main keys for bars, pastry shops and ice cream parlours we imagine. NINE is the core of our senses: aesthetically gorgeous to be admired, extremely moving to be touched and noiseless. Its noiselessness it's a must for the bars, pastry cabinets as well as ice cream cabinets we have in mind. The application of sound absorbing panels which reduce vibrations and the resonance of the internal elements contributes to the noiselessness of the cabinet.

The Ever-Changing Revolution

⚙️
Customization



Design, minimalism and functionality. Our NINE plus boasts built-in products to be found in the glass structure thus ensuring the ideal usability in any context or project. NINE has an embossed profile as part of the glass structure and clients can choose among four different customizations.

↔
Accessibility



It ensures two different access opportunities from the front glass in order to meet any clients' need in terms of traditional daily gestures.

04



**NINE
PLUS**

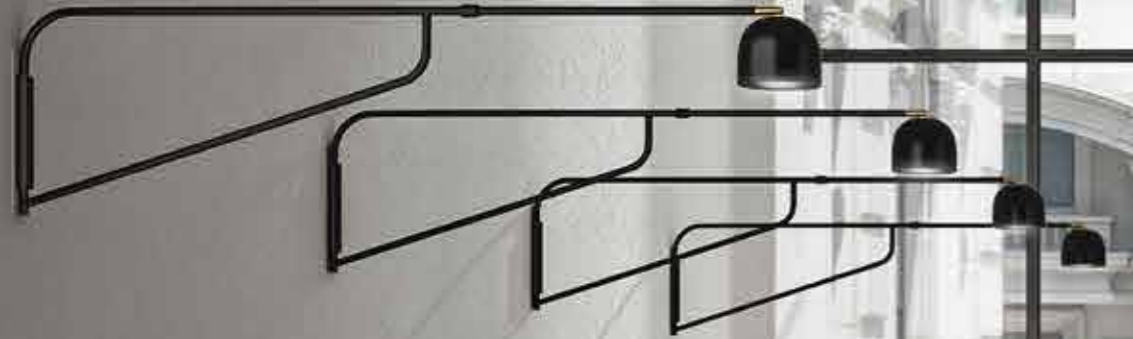
Feel free to express your ideal design

Minimalism is a life style enabling us to see the beauty without taking up too much space, thus doing without what we don't need.

NINE Plus is all this.

NINE plus merges this elements together: deciding what you really need while maximizing the showcasing opportunities.

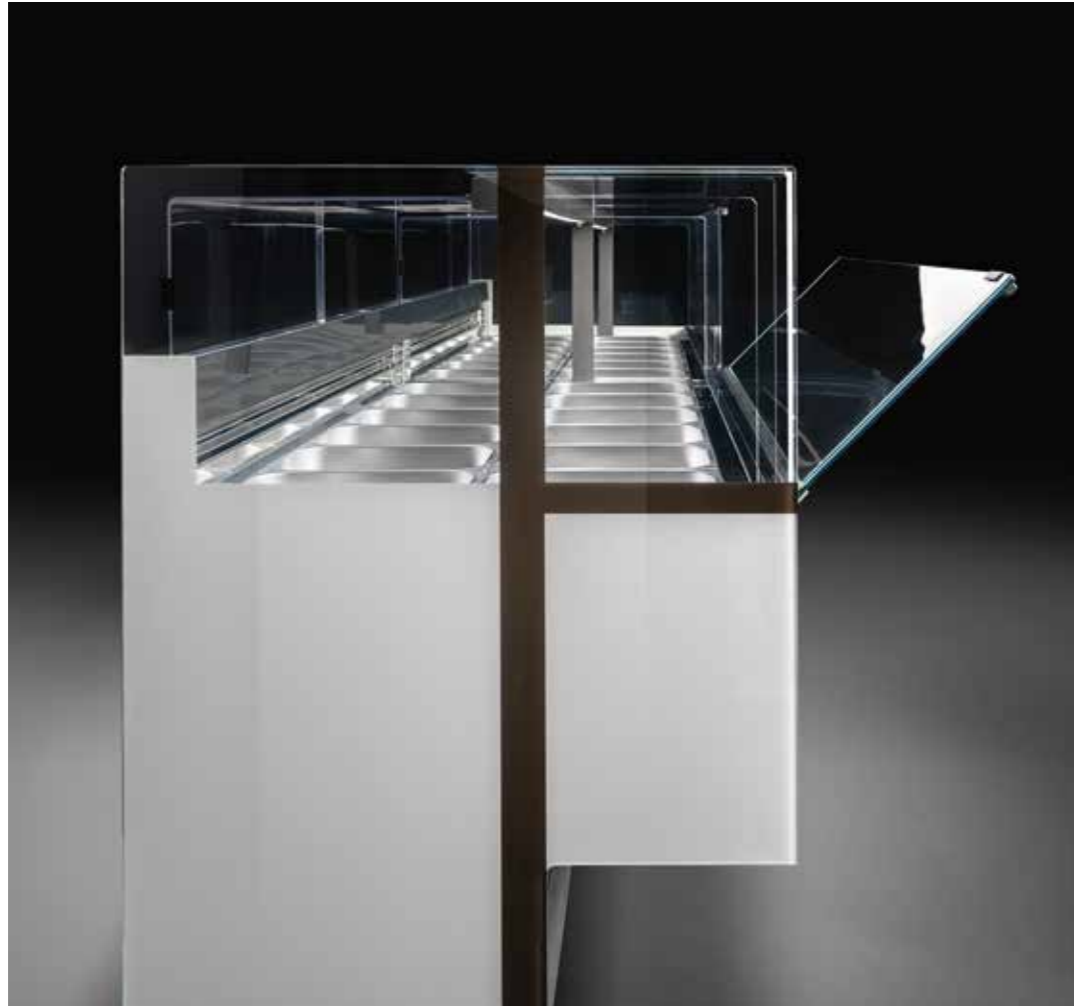
06



08

The ever-changing revolution.

The new access system through the front glass ensures you the ideal freedom in customizing the showcase's covering panels.



09



10





NINE Plus is the showcase that more and more suits professionals' needs.

It's a compact cabinet dedicated to those who know that the success of a venue depends on their ability to prepare and display their products.



14

9+



16

*Feel free to place it in any premise:
the 12 mm wide end side panels make it
the perfectly suitable showcase for any premise.
Highest adaptability to any design idea: perfect
continuity between the aesthetic finishings of the
counters matching with
the showcase.*



17





18

*NINE Plus is captivating and rewarding,
it is contemporary technology. It is an artistic concept, which merges
together essence and taste for beauty.*



20



22



NINE

The first-class style

Tradition, beauty, creativity and insight are enclosed in this reduced space. NINE is aesthetically gorgeous to be admired, extremely moving to be touched. Elegant lines and outstanding profiles grant NINE a greater authority thanks to its incomparable style while never becoming excessive. These features enable the clients to best show the products and this means we promote our core values



24



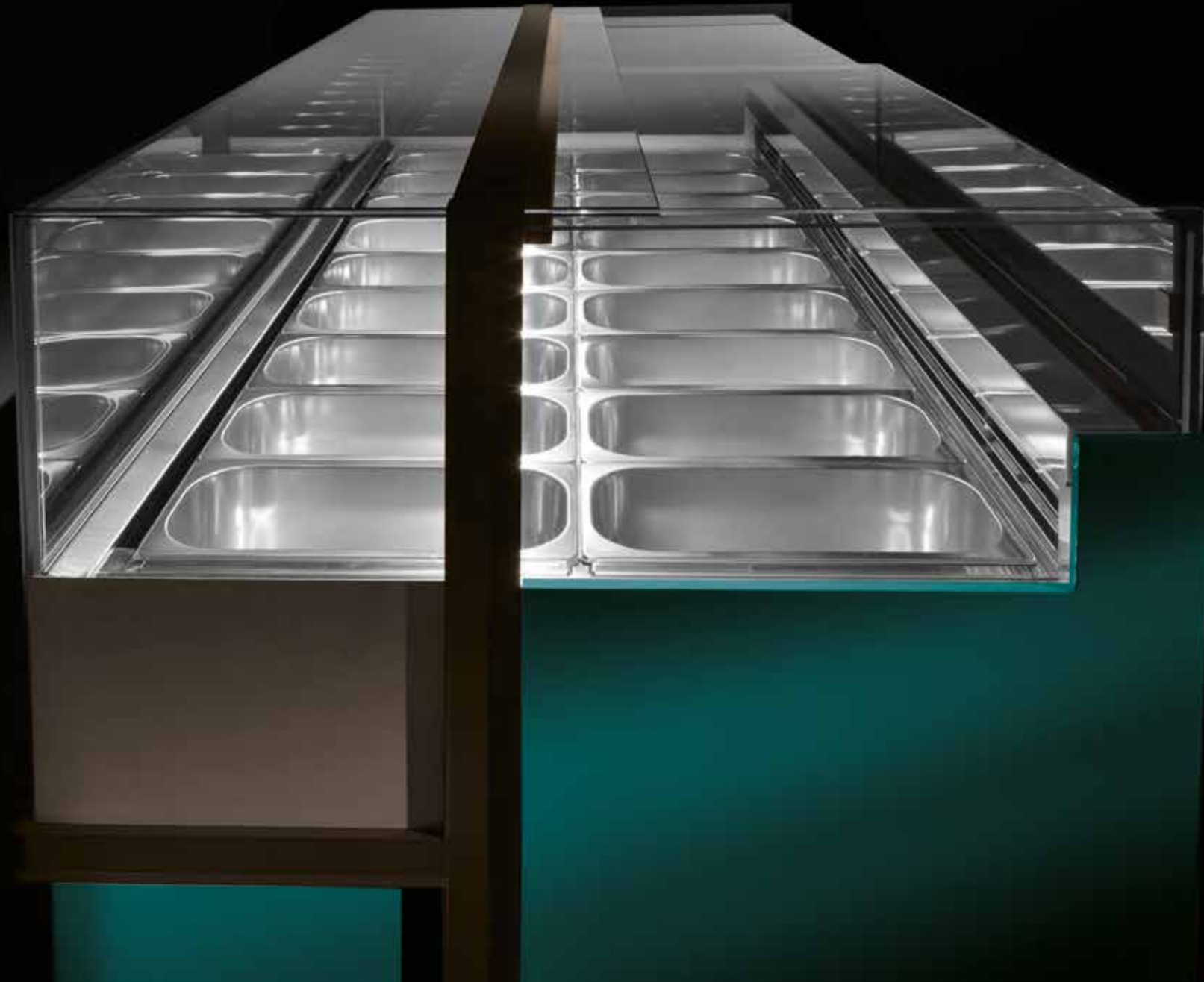
All in less than 90 cm,
entirely dedicated
to the professional
exposition
of the products.

26





28



The cabinet becomes the focal point where professionalism as well as preparation and displaying skills merge together to make the clients' desires come true this uniting owners and clients.

32



34



Maximum transparency and pure shapes.

Our greatest ambition is to show products without attracting attention on ourselves.

36



37



38



40



The end side corner is a compact cabinet too. It maintains the professional exposition and food maintaining features.



Undiscovered dimensions

42



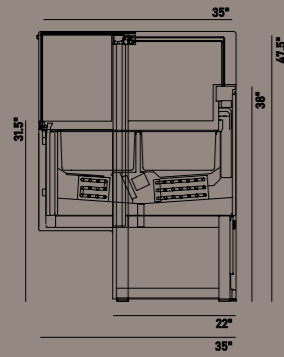
NINE is our reference model for what we seek for in our products: the perfection.

43

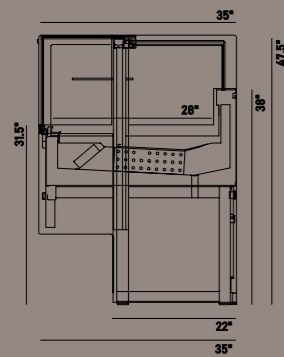


Dimensions

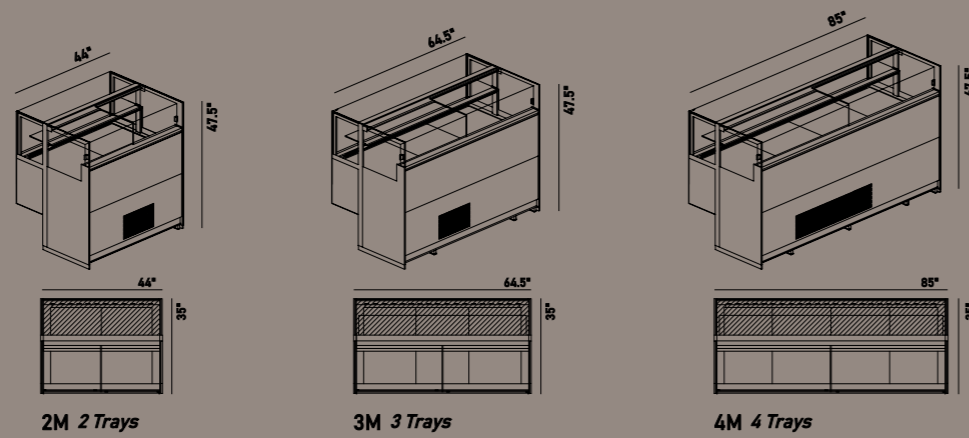
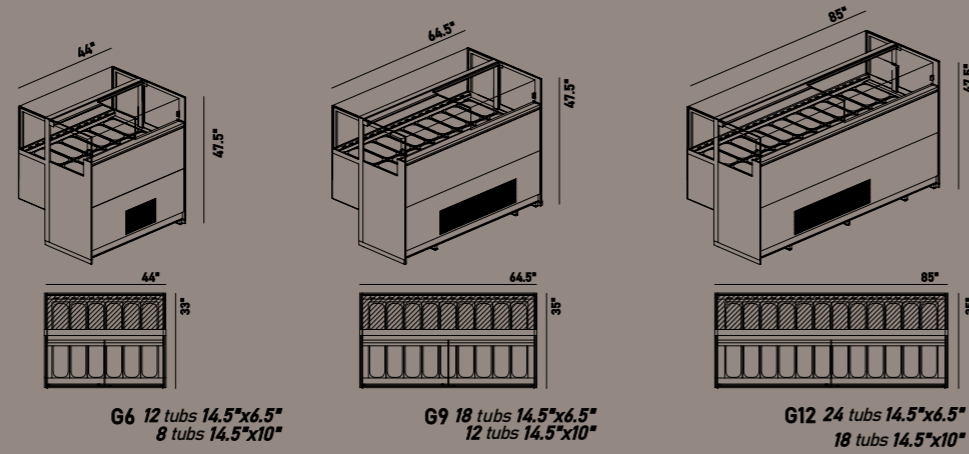
BT / ICE CREAM



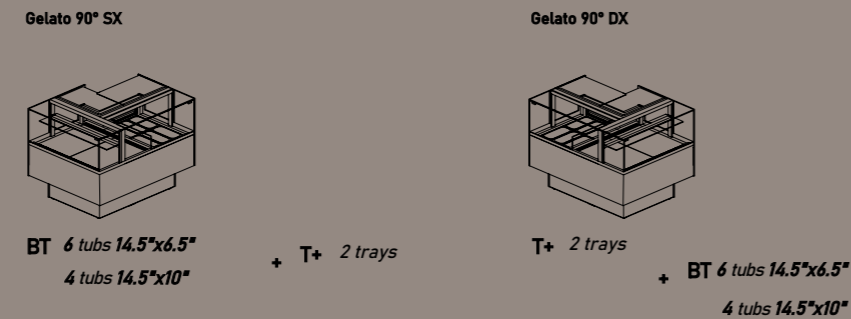
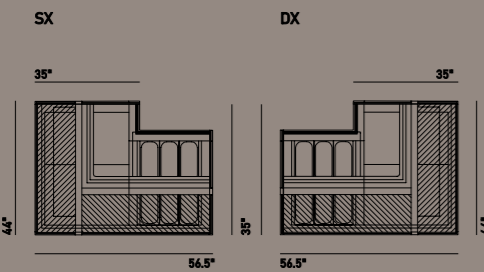
T+ / HOT AMBIENT / CHOCO



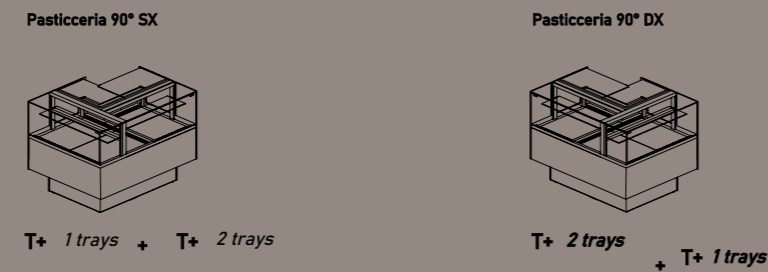
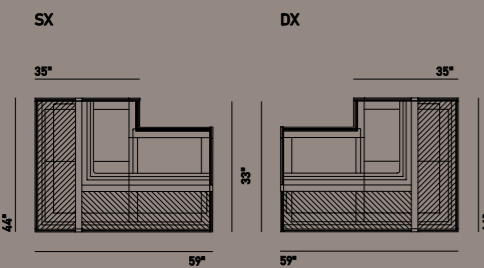
NINE available modules



BT / T+



T+ / T+



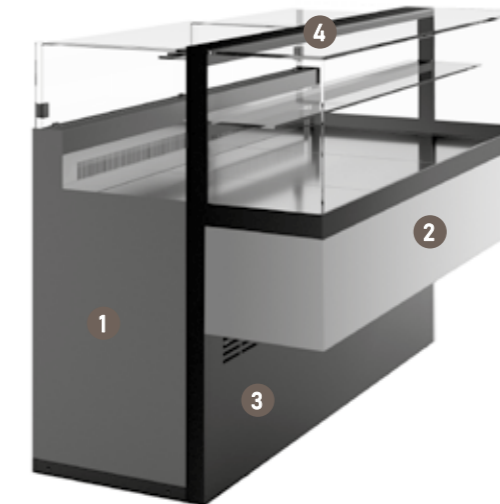
Customization

Version
T+
T+ CHOCO
AMBIENT
HOT CS
BT (Without
Customizations)



- 1 End side panel: double glazing backpainted glass 7044 RAL
- 2 Frontal covering: frame for frontal panel (not included)
- 3 Engine Bay Grid painted 2006 ARC
- 4 Perimeter RAL 8019 screen printing glass

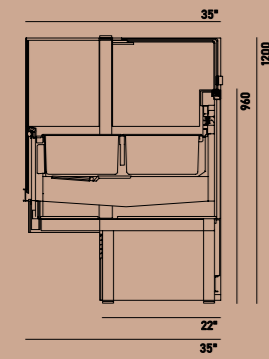
Version
T+
T+ CHOCO AMBIENT
HOT CS
BT (With
Customizations)



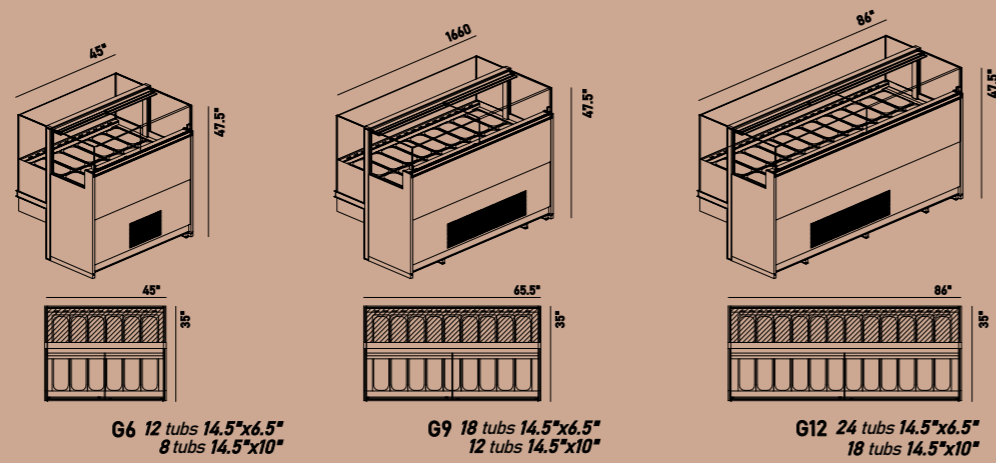
- 1 End side panel: double glazing back painted glass 7044 RAL
- 2 RAL (Standard) Customizable front back painted RAL coloring glass (standard version)
Available finishes (optional): Ceramics/Woods
- 3 Engine Bay Grid painted 2006 ARC
Available finishes (optional): Ceramics/Woods
- 4 Perimeter RAL 8019 screen printing glass

BT / ICECREAM
section

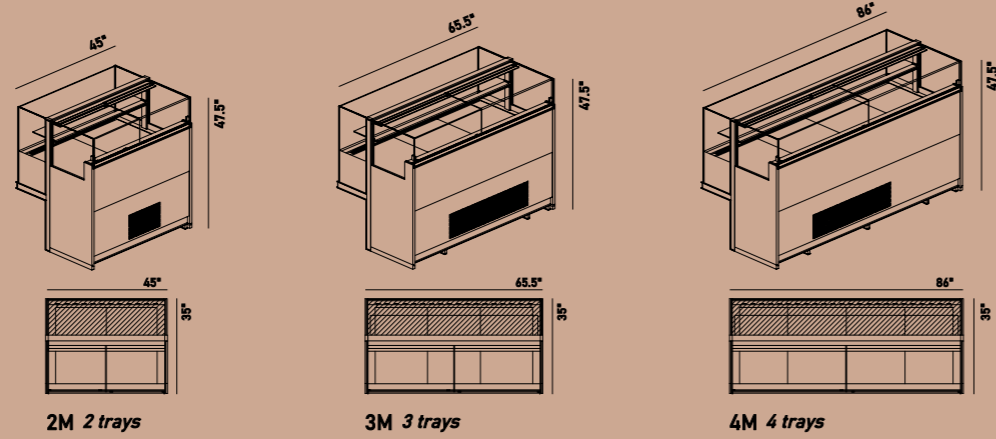
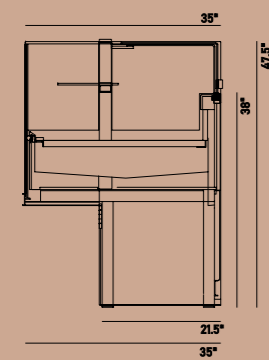
Dimensions



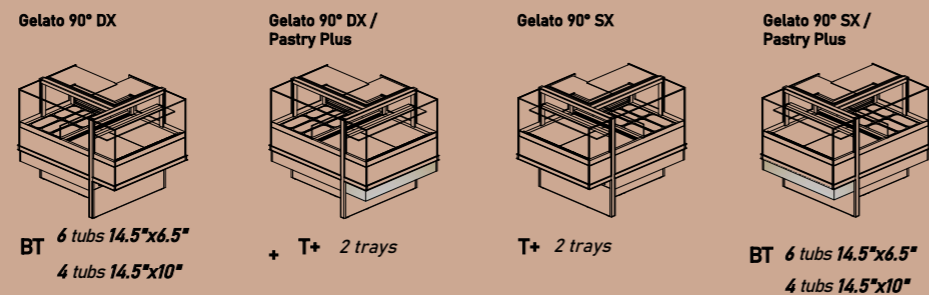
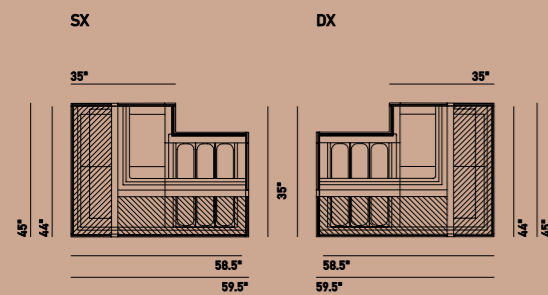
NINE Available Modules



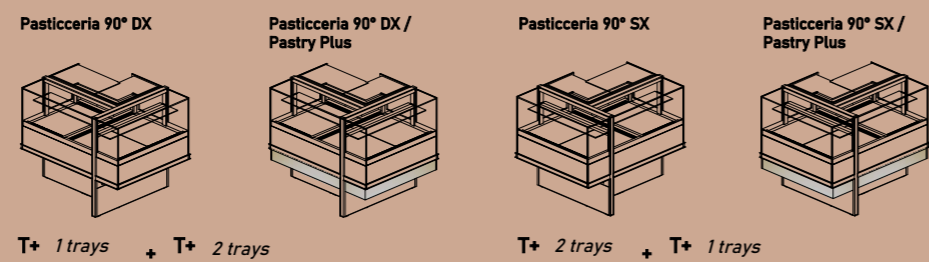
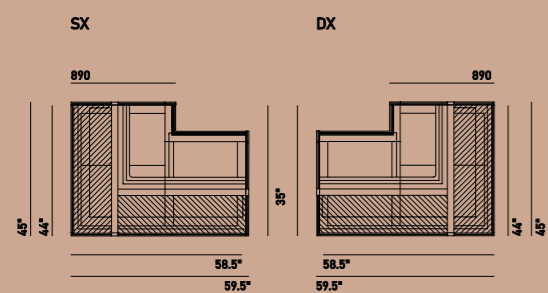
T+ / HOT AMBIENT / CHOCO
section



BT / T+



T+ / T+



Customization

BT

Negative temperature version without finishes



1 End side panel without finishes

2 Back painted glass RAL 7003 (glossy and matt)

3 Basin Front and side panels without finishes

4 Engine Bay Grid painted 2006 ARC Anofor

5 Outstanding profile 2006 ARC Anofor

Versione T+ CHOCO AMBIENT HOT CS HOT CBM



BT

Negative temperature customized version



1 Customizable End side panels. Available finishes: RAL Laquering/ Metals/ Stainless Steel (optional)

2 Back painted glass RAL 7003 (glossy and matt)

3 Customizable Basin Front and side panels.

4 Customizable Engine Bay Grid. Available finishes: RAL Laquering/ Ceramics/Woods (optional)

5 Outstanding profile 2006 ARC Anofor

6 Customizable front back painted RAL colouring glass 5mm max thick (optional)

Customizable frontal covering panels (ceramics / woods finishes) _Optional

It features four different levels of displaying surfaces so that the clients can choose the desired customization.

gti **DESIGNS**

*Products may be protected
by patent and/or design.
All rights reserved.*

