

Retro

gti  DESIGNS

RETRO

Everything you need. Right in front of you.





Made with you in mind.



26"
30.5"
33"



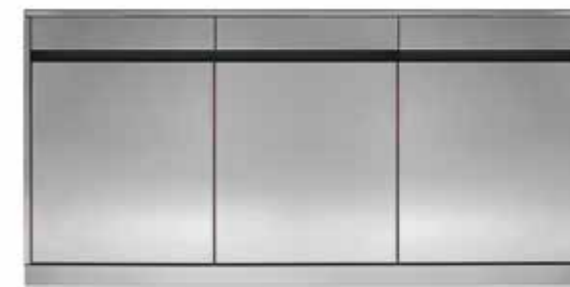
26" - 1 VANO / COMPARTMENT

26"
30.5"
33"



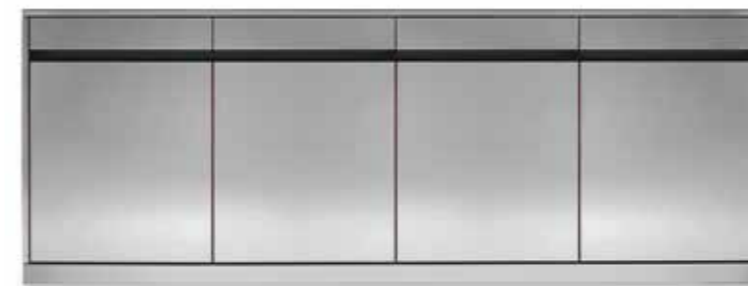
150" - 2 COMPARTMENTS

26"
30.5"
33"



74" - 3 COMPARTMENTS

26"
30.5"
33"



98" COMPARTMENTS

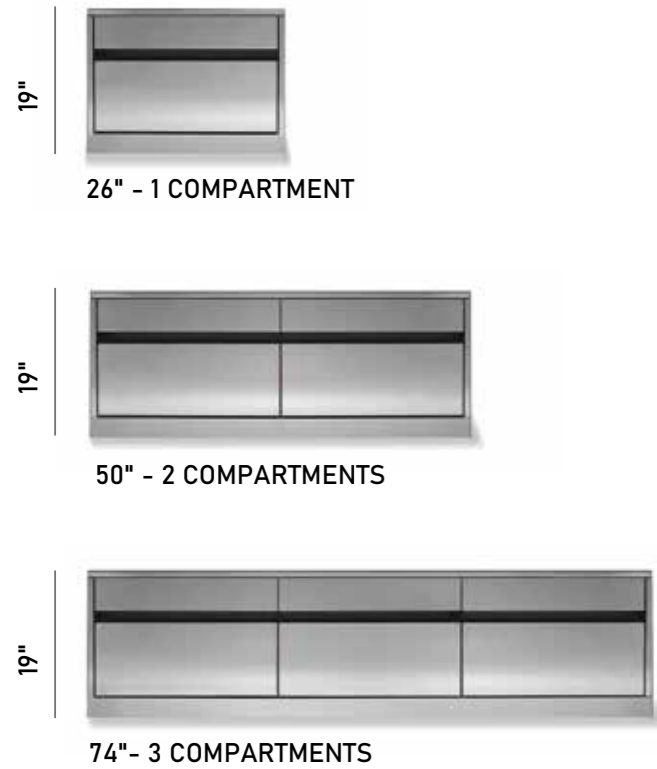
26"
30.5"
33"



122" COMPARTMENTS



Same functions, same quality, and the same performance, but only 19" high.
It has a single pull-out basket, 24" and can be inserted into smaller spaces, to suit your imagination.





Extraordinary size for innovative needs. Our standard measurements meet these needs, based around simple versatility.

The 35.5" span fridge has two large drawers with multiple options for layout and organization.



30.5"

33"

38" - 1 COMPARTMENT

Devised to help you to work better

The Retro system is designed for better storage and easier movement. Every point functional, every unit customized to maximize efficiency based on your business' individual needs.



180° door opening

The breakthrough of these doors is a result of the combination with two materials having different features (external side made of high-density polyurethane and low-density polyurethane core), thus making them stiffer and highly insulating together with an unexpected lightness. The door has a 20" width.

Full-length handle



The 180° door opening means total control of space. In any area, where a wide-open door must not be an obstruction to passage, this type of opening provides full visibility and frees up the cold store compartment.

This type of door has a special hinge (patented) that pivots and turns the door at the same time. This patent gives us the "gap" effect of just a single cm between one door and another.



Easy grip across the whole surface, a secure support. This is a handle in line with our philosophy: Simplicity is the best solution!

Large basket



At last the two small, pull-out baskets can be opened as one large one; another example of the way that **Retro** can solve your problems. In this way, you can fill and use the compartment from three different positions: Left or right side and front.



There is also a 35.5" RETRO



○ Full opening

Full pull-out is not a luxury, but a necessity when it comes to helping your work.

Not only can you see the contents better, it is also easier to move them and reduces personal need for movement as well.

A system of telescopic rails ensures the complete functionality thanks to the cushioned closing design to bear a 132lb of weight.







Tidy, clean, and easy to use. In one word: Functional.

Organized storage. Storing food products: ingredients, semi-finished or ready-made products.



The stainless steel rack gears for shelves supporting are displayed in 4 standard positions where grids, shelves as well as internal high/low internal drawers can be placed as well as removed if necessary.



24"



35.5"

Customized to You





You can be a confectioner, or make gelato. 60 and 90 cm drawers

Safety, flexibility, and hygiene, with immediate preparation and service, and no moving to another part of the premises.



Italian design

For the first time ever, a minibar and a wall unit become just what you want. With a tall line, a completely flat door with 1.6" band that turns into a handle and only 10 mm between one door and the next.

Simple design and high-tech content make for an extraordinary product.

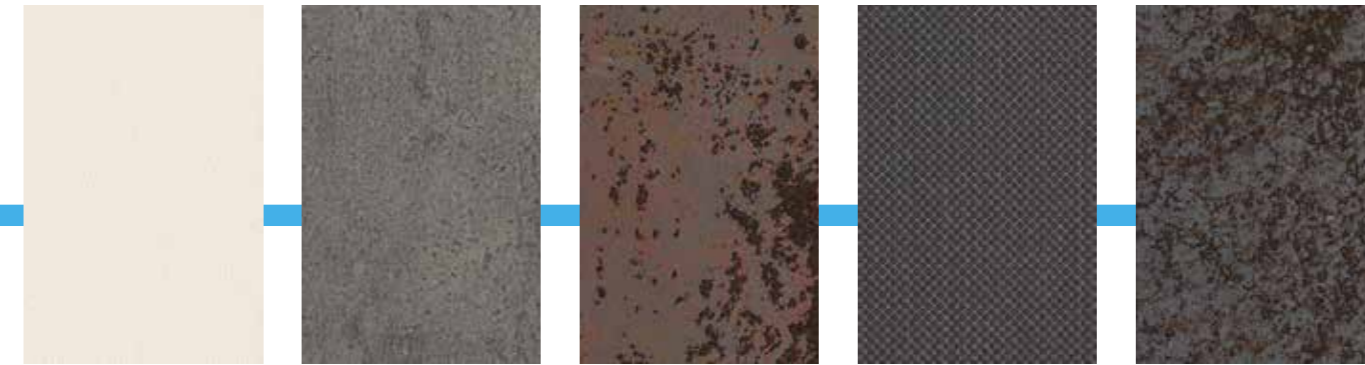


Glass Door



Materials and Finishes

Ceramics



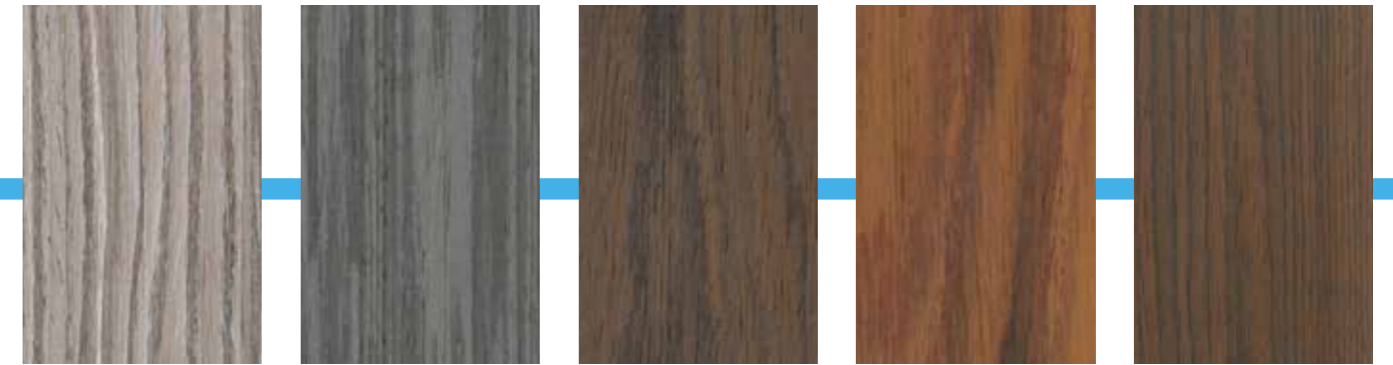
NEVE PIOMBO MORO GHISA NERO

Metals



IRON PEWTER COR-TEN DÈLABRÉ BRASS BRASS

Woods



BREEZE OAK DARK GREY LATI PLANKED WALNUT SANTOS ROSEWOOD MOKA OAK

Glass



LINEN FIN SPECCHIO GREY MIRROR GLASS
STRUCTURE (Bronze) MIRROR GLASS ON ONE SIDE AND ACID ETCHED ON THE OTHER
MIRROR (Grey) MIRROR GLASS ANTI-FINGERPRINT, ETCHED SURFACE

Color



RAL 6026 RAL 5009 RAL 3011 RAL 7043 RAL 7036



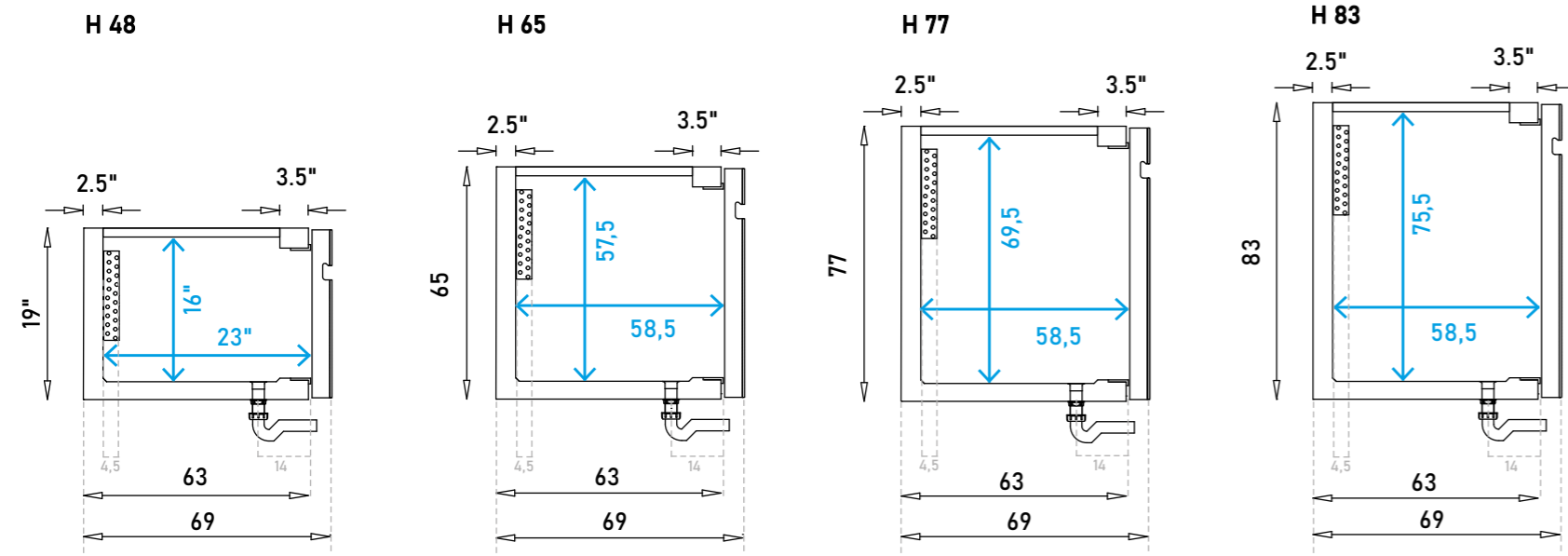
RETRO



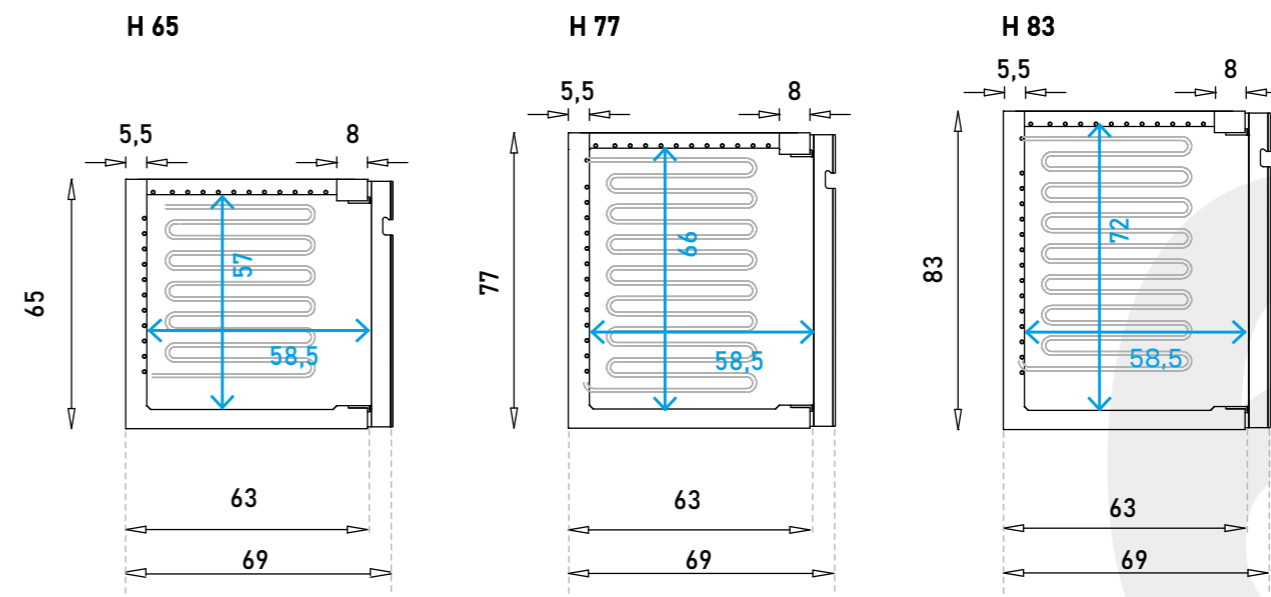


Product Line

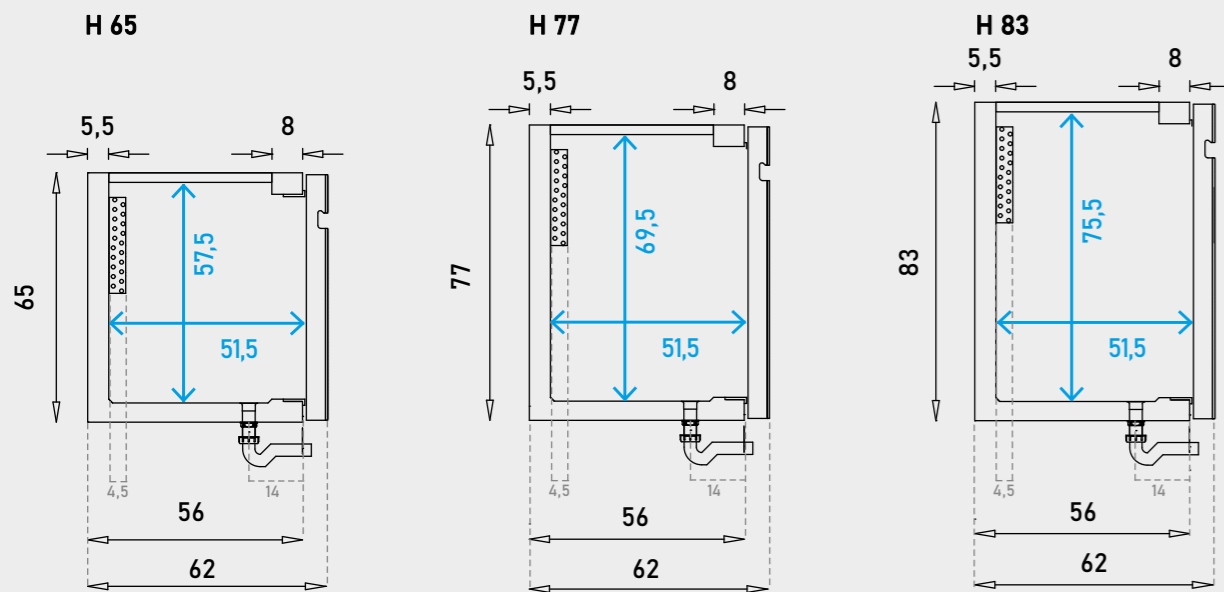
T+ Depth 63 cm Heights 48 / 65 / 77 / 83 cm



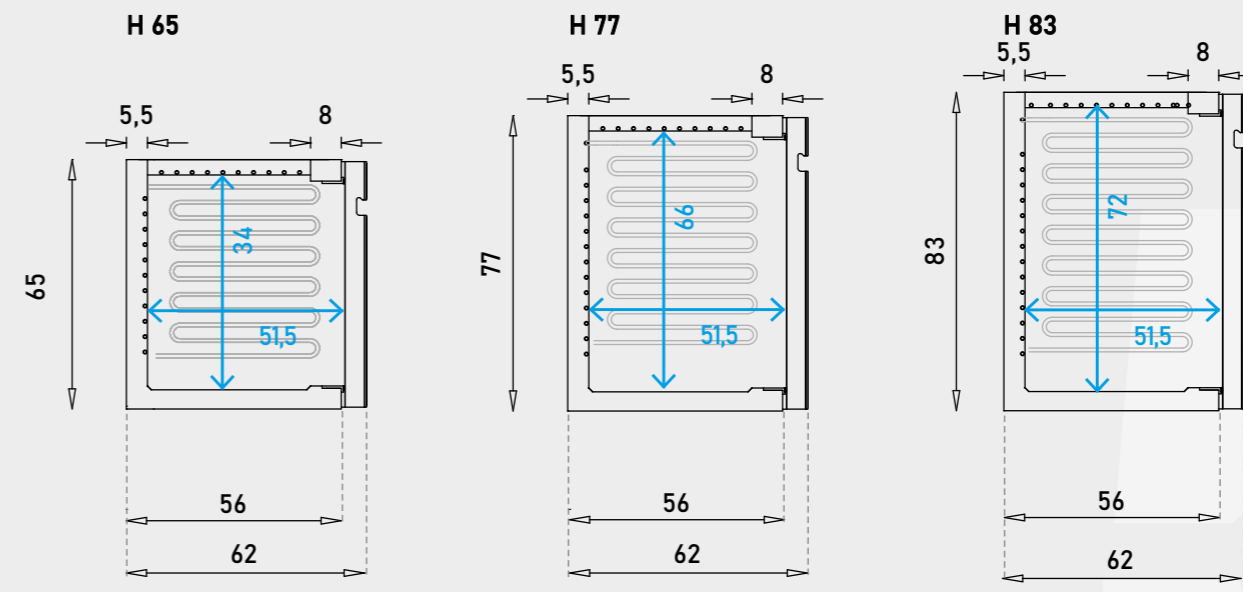
BT Profondità 63 cm Altezze 65 / 77 / 83 cm
BT Depth 63 cm Heights 65 / 77 / 83 cm



T+ Profondità 56 cm Altezze 48 / 65 / 77 / 83 cm
T+ Depth 56 cm Heights 48 / 65 / 77 / 83 cm



BT Profondità 56 cm Altezze 65 / 77 / 83 cm
BT Depth 56 cm Heights 65 / 77 / 83 cm



Guida alle soluzioni tecniche della collezione

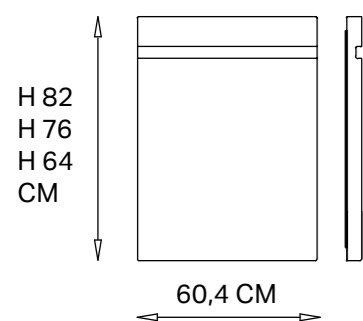
Guide to the technical solutions of the beck collection

SPORTELLO

- Apertura 180°.
- Sportello coibentazione 5 cm frontale personalizzabile con materiali diversi (7mm spessore max).
- Gola 4 cm h.
- Disponibile anche con sportello in vetro.

DOOR

- 180° opening.
- Door (5 cm insulation), customizable front side with different materials (7 mm maximum thickness).
- Built-in handle 4 cm height.
- Door also available with glass door.

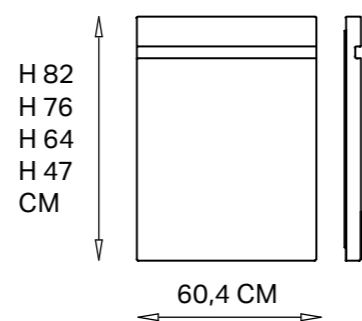


CESTONE

- Cestone estraibile, scorrevole su guide telescopiche con sistema chiusura ammortizzato.
- Cassetto interno maxi scorrevole all'apertura.
- Gola 4 cm h.

LARGE BASKET

- Sliding and extractable basket on telescopic rails, self closing and soft stop.
- Inner basket.
- Built-in handle 4 cm height.

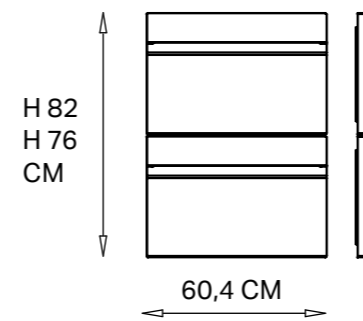


DOPPIO CASSETTO

- Doppia cassetta estraibile con larghezza 60 cm, scorrevole su guide telescopiche.
- Cassetto interno maxi scorrevole all'apertura.
- Gola 4 cm h.

DOUBLE DRAWER

- Extractable double drawers of a 60 cm width.
- Sliding and extractable basket on telescopic rails, self closing and soft stop.
- Built-in handle 4 cm height.

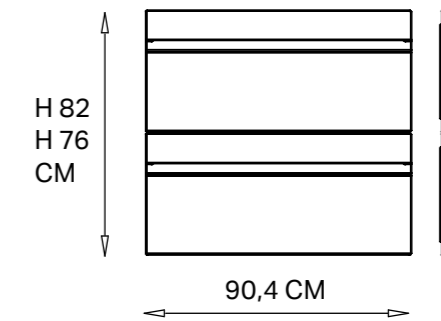


DOPPIO CASSETTONE

- Doppia cassetta estraibile con larghezza 90 cm, scorrevole su guide telescopiche.
- Cassetto interno maxi scorrevole all'apertura.
- Gola 4 cm h.

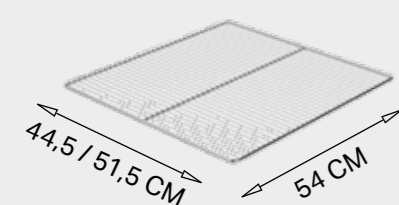
DOUBLE LARGE DRAWER

- Extractable double drawers of a 90 cm width.
- Sliding and extractable basket on telescopic rails, self-closing and soft stop.
- Built-in handle 4 cm height.



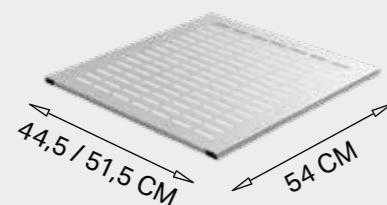
Equipaggiamenti interni disponibili

Possible inner sets



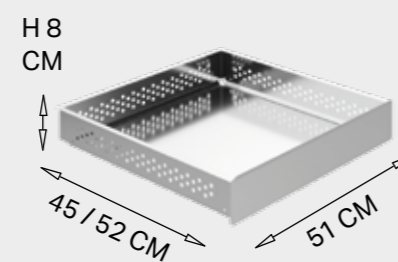
Ripiani in filo sia inox che verniciato

Plastic shelves



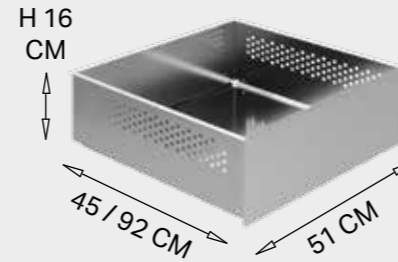
Ripiani Inox

Stainless steel shelves



Cassetto interno slim

Slim drawer



Cassetto interno maxi

Maxi drawer

Tecnologie disponibili

Available technology

H	1 VANO L 66 CM	1 VANO L 96 CM solo cassettone	2 VANI L 127 CM	3 VANI L 188 CM	4 VANI L 249 CM	5 VANI L 310 CM
83 CM	T+ statico (positive static temperature) T+ ventilato (positive ventilated refrigeration) BT statico (negative static temperature)					
77 CM	T+ statico (positive static teperature) T+ ventilato (positive ventilated refrigeration) BT statico (negative static teperature)					
65 CM	T+ statico (positive static temperature) T+ ventilato (positive ventilated refrigeration) BT statico (negative static temperature)					
48 CM	T+ statico (positive static temperature)					

Le celle in gamma sono dotate di evaporatore a vista nella versione «slim».

Slim cells come with a visible evaporator.





35 Trade Zone Court,
Ronkonkoma,
NY 11779

www.gtidesigns.com