



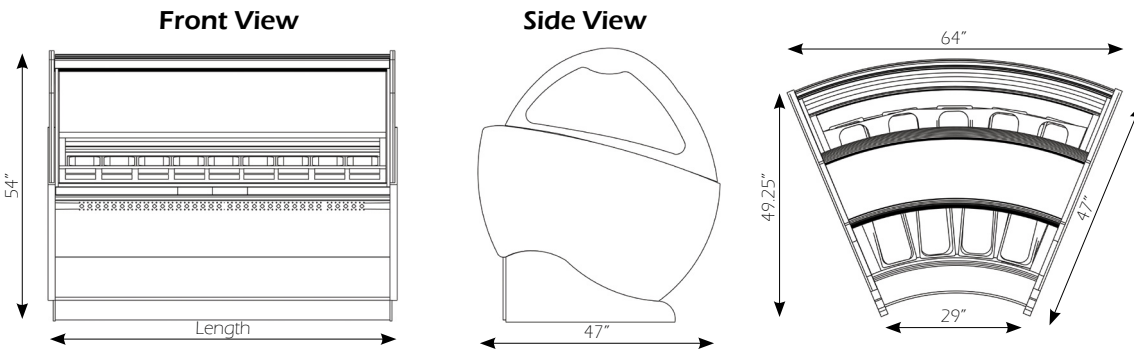
Q Series

Case Features:

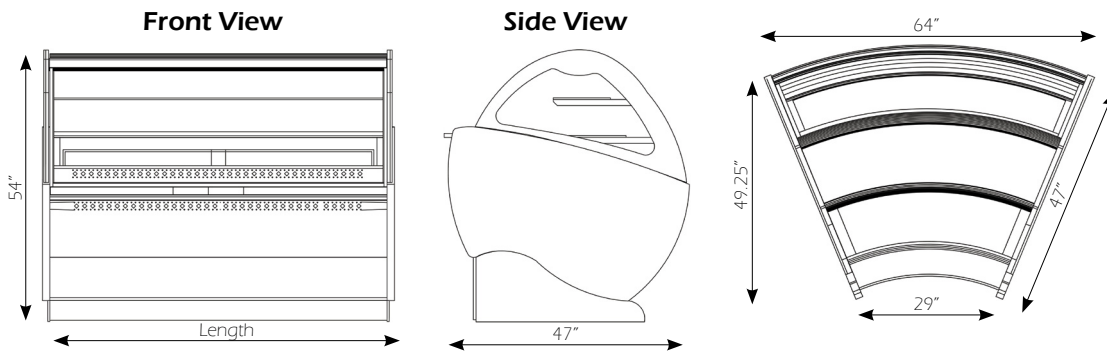
- Available for Gelato & Ice Cream, Pastry, Desserts, Chocolates, Panini, Prepared Foods and Confectionery
- Hydraulic piston hinge opening for the front glass
- Sliding back doors
- Curved, tempered, double pane heated glass prevents condensation
- Optional LED illuminated front panel
- Available in coordinating 45° Angle Display Cases



GELATO



REFRIGERATED



Forced Air Refrigeration/ Automatic Defrost Cycle

DISPLAY CASES

Type	Model	Width	Depth	Height	Electrical Requirements
Gelato	Q-12G	49" (1226mm)	47" (1199mm)	54" (1372mm)	220V/1Phase/60Hz/20 Amp
	Q-16G	62" (1575mm)	47" (1199mm)	54" (1372mm)	220V/1Phase/60Hz/20 Amp
	Q-18G	69" (1753mm)	47" (1199mm)	54" (1372mm)	220V/1Phase/60Hz/25 Amp
	Q-24G	89" (2261mm)	47" (1199mm)	54" (1372mm)	220V/1Phase/60Hz/30 Amp
	Q-45GA	64" (1626mm)	47" (1199mm)	54" (1372mm)	220V/1Phase/60Hz/30 Amp
Refrigerated	Q-1250P	49" (1226mm)	49" (1245mm)	54" (1372mm)	220V/1Phase/60Hz/5 Amp
	Q-1500P	62" (1575mm)	49" (1245mm)	54" (1372mm)	220V/1Phase/60Hz/5 Amp
	Q1750P	69" (1753mm)	49" (1245mm)	54" (1372mm)	220V/1Phase/60Hz/5 Amp
	Q-2250P	89" (2261mm)	49" (1245mm)	54" (1372mm)	220V/1Phase/60Hz/10 Amp
	Q-45PA	64" (1626mm)	49" (1245mm)	54" (1372mm)	220V/1Phase/60Hz/10 Amp

All technical data, pictures and drawings contained in this document are not binding on the manufacturer, nor can the manufacturer be held liable for any modification of the machine, in part or in whole.