



The ultimate
"combo"
display cabinet

COMBI

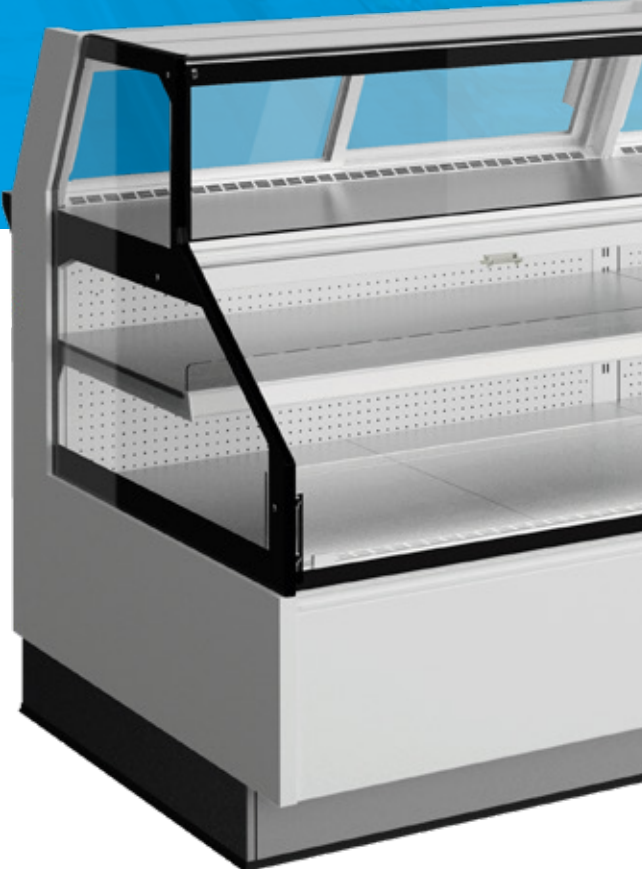
FUTURO

FUTURO COMBI

**Total versatility
combines**

serve-over and self-service

FUTURO **COMBI** is the combo display that perfectly combines the qualities of a serve-over and a semi-vertical. Available in chilled and heated models, discover the solution that will double your business!



more sale opportunities



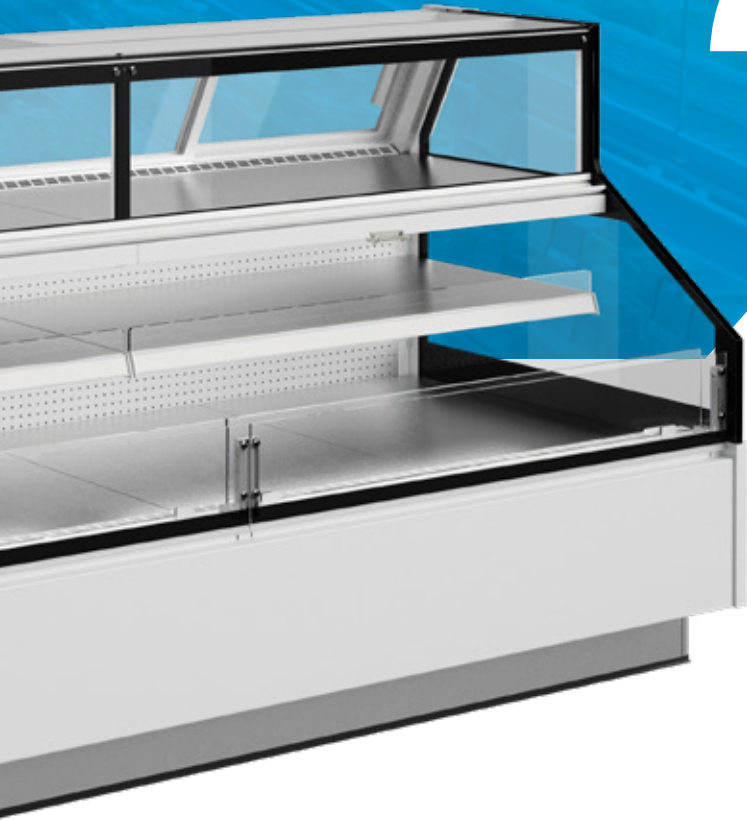
*tudo pronto a levar
ready to take-away*



2 in 1 solution: lower deck for packaged food and upper deck for assisted service.

Available in chilled and heated models, ready for all foodstuffs.

21ⁱⁿ



*mais visibilidade
more visibility*



LED lighting and large display area that increase product display.

*autoserviço eficaz e eficiente
effective and efficient self-service*



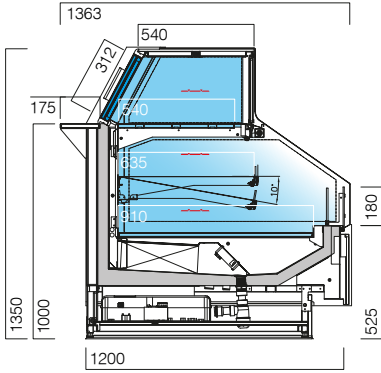
Dry ambient and chilled models with tiltable self-service shelf and automatic night curtain.

*fácil serviço & atendimento
easy assisted service*

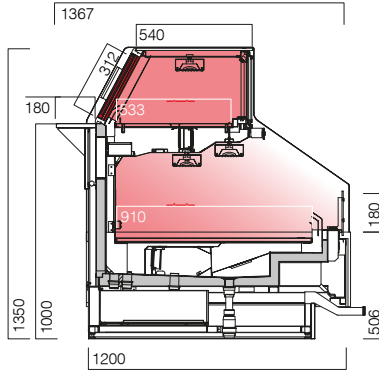


Service sliding doors and worktop that facilitates the assisted service operations.

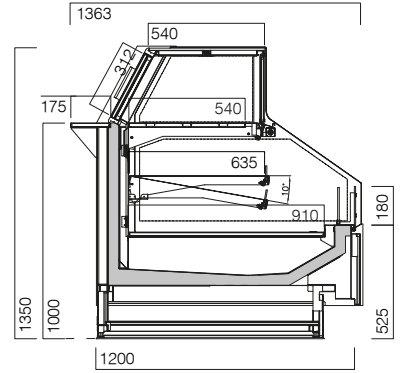
FUTURO COMBI combine display cabinets



VCOMBFV SG 3M2
chilled ventilated



VCOMBF AQV
Heated Decks



VCOMBF NT
neutro
dry/ambient

Technical data I	VCOMBFV SG 3M2				VCOMBF AQ		VCOMBF NT				
	1250	1875	2500	3750	1250	1875	1250	1875	2500	3750	
Length without end panels I	mm	1250	1875	2500	3750	1250	1875	1250	1875	2500	3750
Display area I	m ²	2,07	2,83	3,59	5,11	2,07	2,83	2,07	2,83	3,59	5,11
. Amb.= 25°C H.R.= 60%) Working temperature I	°C	-1... +7	-1... +7	-1... +7	-1 ... +7	+60... +65	+60... +65	-	-	-	-
Refrigeration power I	W	1450	2175	2900	4350	-	-	-	-	-	-
208 -230V~/60Hz Rated power I	W	184	246	317	442	3667	5776	24	33	48	66
Energy consumption I	kWh/annum	6690	10036	13381	20071	-	-	-	-	-	-
Energy class label I		A F	A F	A G	A G	-	-	-	-	-	-

(*) T. Evap. -10°C / T. Cond. +45°C

(**) TDA inclusive panorama endwall view. I

(***) . The class indicates the best energy class for this model, based on specific configurations and set-up, calculated according to the European Energy Labelling Regulation 2019/2018. The energy label may differ depending on the model configuration. I



gti **DESIGNS**