



TL Series

GELATO



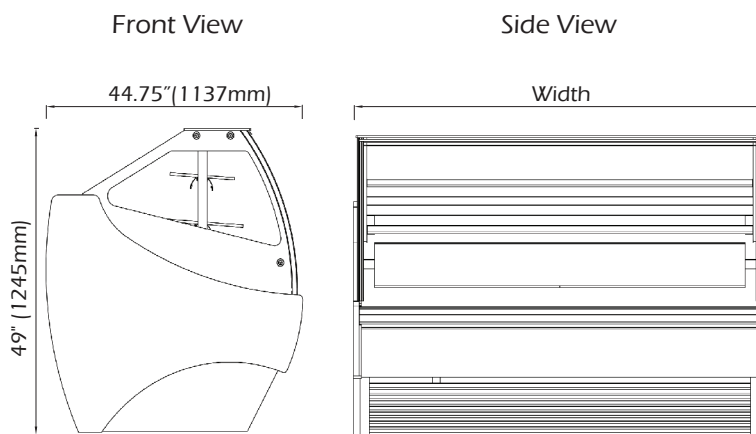
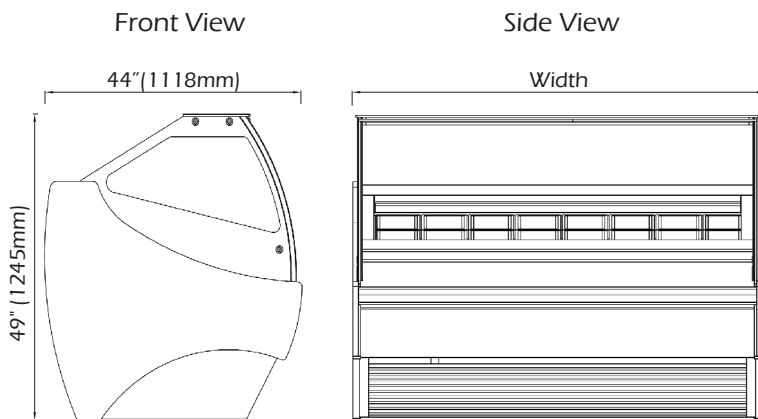
TL-Series Display Case

- Available for Gelato & Ice Cream or Pastry, Desserts, Chocolates, Panini, Prepared Foods and Confectionary
- Hydraulic piston hinge opening for the front glass
- Curved, tempered, double pane heated glass prevents condensation
- Digital temperature control panel



REFRIGERATED

GELATO



REFRIGERATED

DISPLAY CASES

Type	Model	Width	Depth	Height	Electrical Requirements
Gelato	TL - 12G	49.5" (1257mm)	44" (1118mm)	49" (1245mm)	220V/1Phase/60Hz/20 Amps
	TL - 16G	62" (1575mm)	44" (1118mm)	49" (1245mm)	220V/1Phase/60Hz/20 Amps
	TL - 18G	69.5" (1765mm)	44" (1118mm)	49" (1245mm)	220V/1Phase/60Hz/25 Amps
	TL - 20G	78" (1981mm)	44" (1118mm)	49" (1245mm)	220V/1Phase/60Hz/25 Amps
	TL - 24G	91.5" (2324mm)	44" (1118mm)	49" (1245mm)	220V/1Phase/60Hz/30 Amps
Refrigerated	TL - 1250P	49.5" (1257mm)	44.75" (1137mm)	49" (1245mm)	220V/1Phase/60Hz/10 Amps
	TL - 1500P	62" (1575mm)	44.75" (1137mm)	49" (1245mm)	220V/1Phase/60Hz/10 Amps
	TL - 1750P	69.5" (1765mm)	44.75" (1137mm)	49" (1245mm)	220V/1Phase/60Hz/10 Amps
	TL - 2250P	78" (1981mm)	44.75" (1137mm)	49" (1245mm)	220V/1Phase/60Hz/10 Amps
	TL - 2500P	91.5" (2324mm)	44.75" (1137mm)	49" (1245mm)	220V/1Phase/60Hz/10 Amps

All technical data, pictures and drawings contained in this document are not binding on the manufacturer, nor can the manufacturer be held liable for any modification of the machine, in part or in whole.